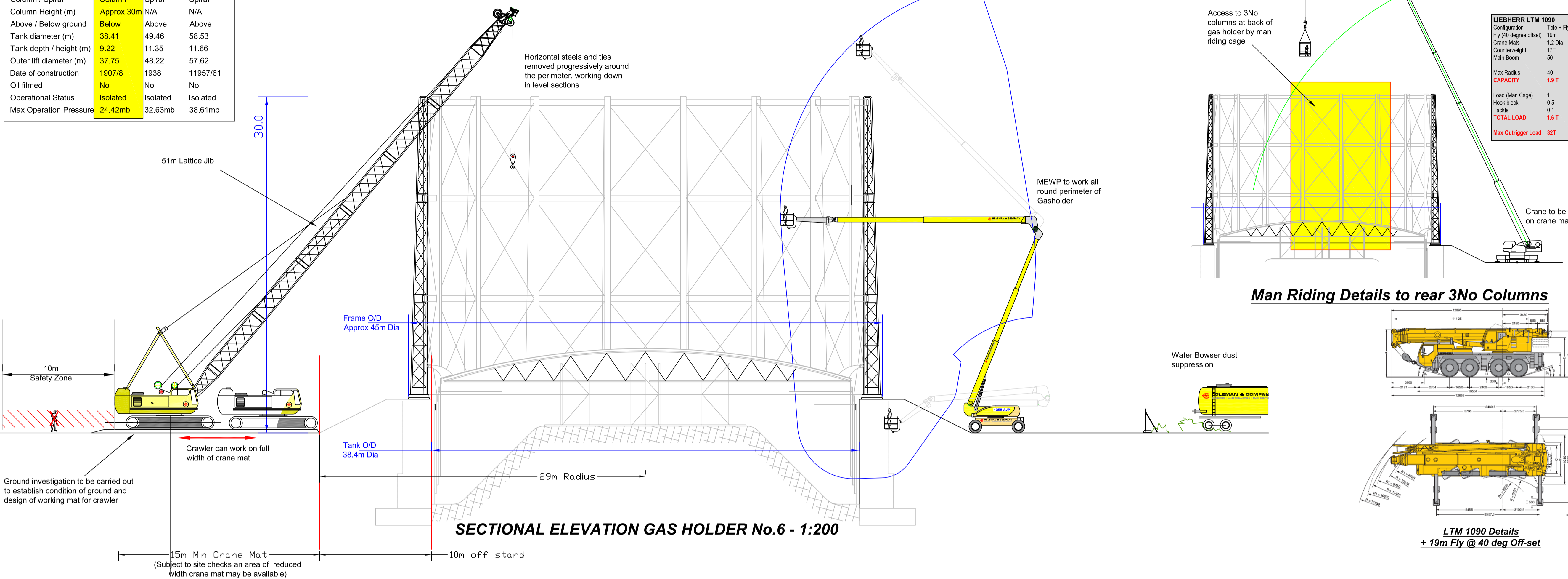
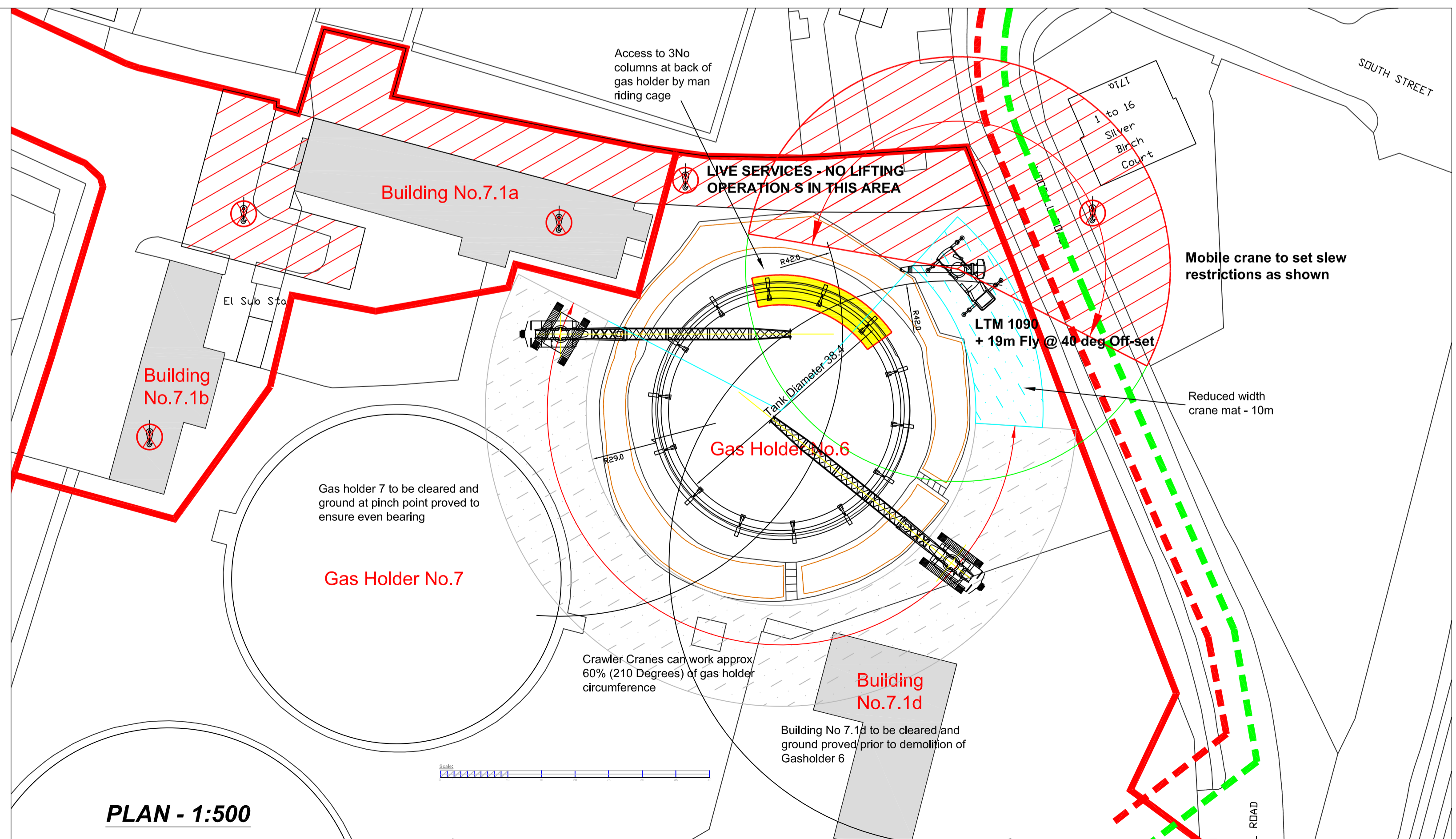
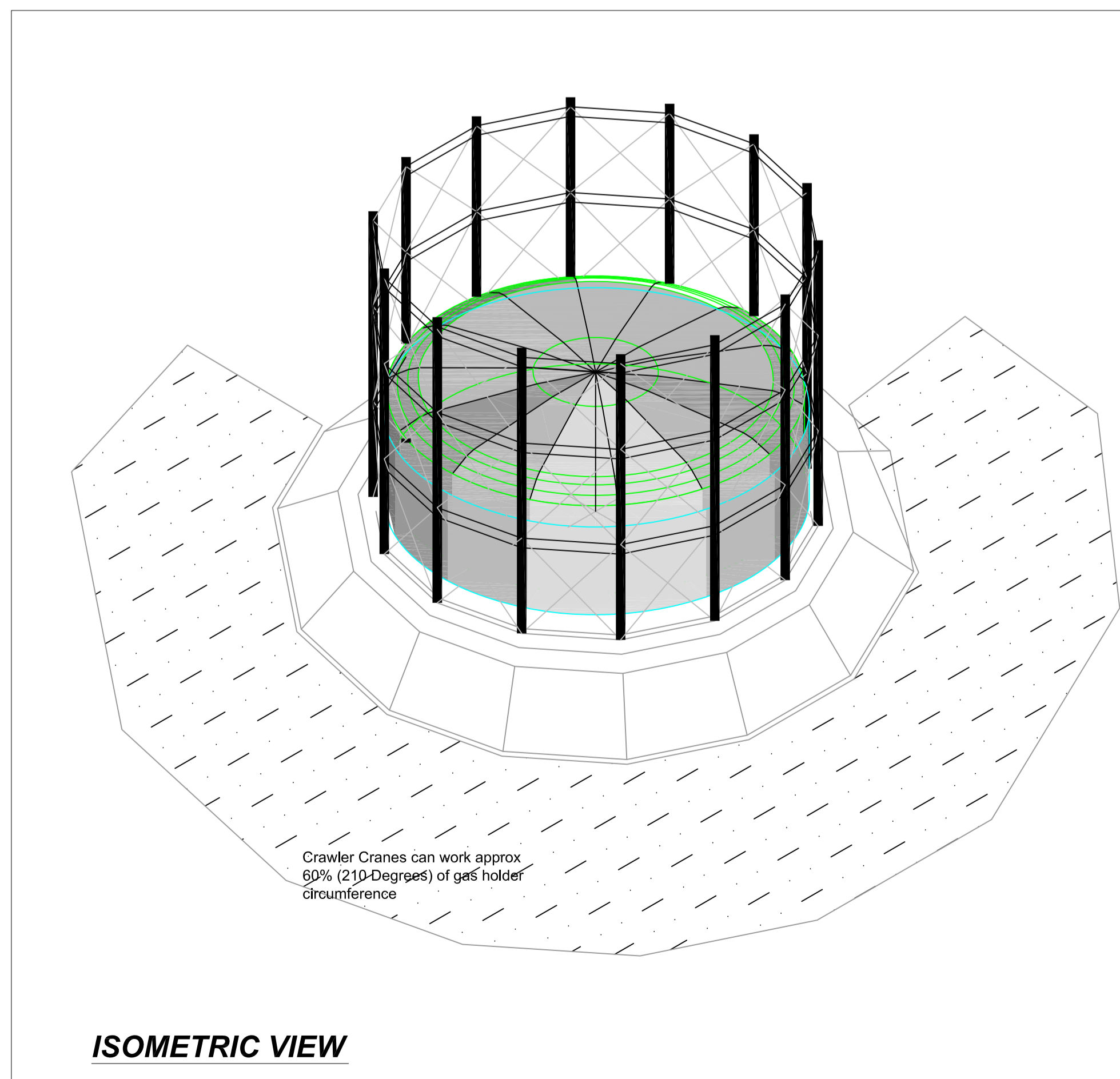
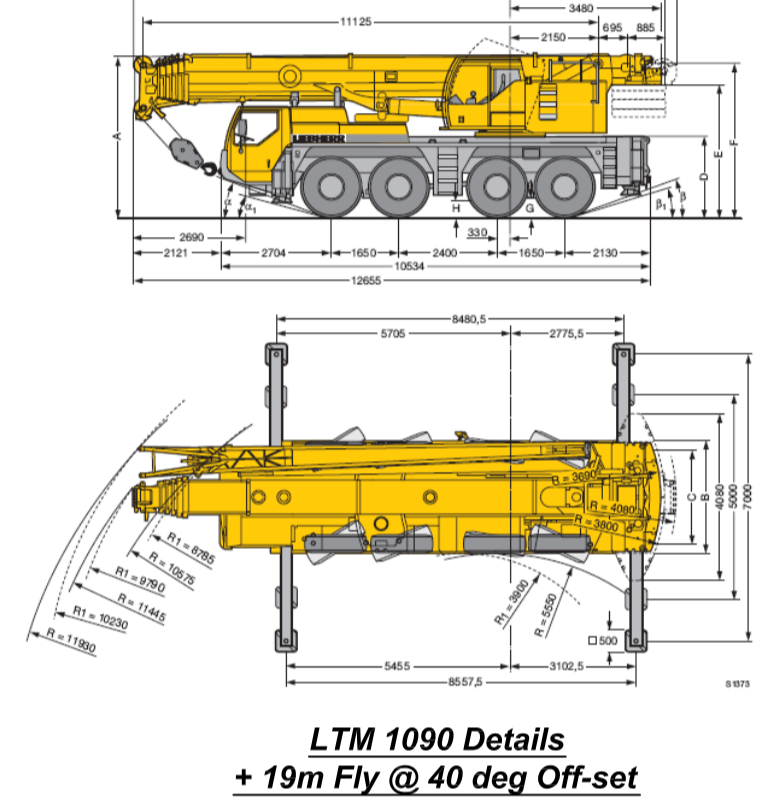


Dimensional Data taken from ENG Data Sheets

	No.6	No.7	No.8
Holder Identification	No.6	No.7	No.8
Number of Lifts	3	3	4
Nominal Capacity	1 083 000	2 100 000	3 700 000
Column / Spiral	Column	Spiral	Spiral
Column Height (m)	Approx 30m	N/A	N/A
Above / Below ground	Below	Above	Above
Tank diameter (m)	38.41	49.46	58.53
Tank depth / height (m)	9.22	11.35	11.66
Outer lift diameter (m)	37.75	48.22	57.62
Date of construction	1907/8	1938	11957/61
Oil filmed	No	No	No
Operational Status	Isolated	Isolated	Isolated
Max Operation Pressure	24.42mb	32.63mb	38.61mb



Man Riding Details to rear 3No Columns



ASSOCIATED DRAWINGS

No.	TITLE

- NOTES**
- NO DIMENSIONS ARE TO BE SCALED FROM THIS DRAWING.
 - This drawing to be read in conjunction with Clients Specification, Scope of works and details; Coleman & Company Contract documents
 - All works will only be carried out in accordance with approved method statements and sequence of works.
 - Clearance and removals will only be carried out under the supervision of Site Supervisor. Each area will be completed in a progressive sequence, ensuring all remaining frame work is left in a stable and secure condition.
 - Crane lifting operations will be confirmed following further investigation work: Concept design data as below

Lift weight	5T
Max lift Height	35m (5m Above frame)
Max Lift Radius	42m
 - All lifting operations will be carried out at the exclusion of all other works. Only experienced and accredited Slinger/Signaller will direct cranes or attached loads.
 - Crane and all other plant will be isolated, shutters (if fitted) attached and made secure when unattended or at the end of a working hours.
 - Ground to be checked for any voids, service runs of soft/hard spots. Minimum crane working platform of not less than 15m width
 - The area to the north of the site contains retained LIVE services. An exclusion zone will be established with no Lifting Operations over.
 - A Full Crane Assessment form will be completed, and checks to ensure all safety measures, exclusion zones, crane test certificates are in before any Lifting Operation.

D	Man Rider details added	EWA	10.05.10	
C	30% removal corrected - crane platform reduced	EWA	08.04.10	
B	Welfare location revised	EWA	01.02.10	
A	Crawler Crane with Fly jib option removed	EWA	25.01.10	
	Additional area of reduced width crane mat			
REV	added	DESCRIPTION	AUTH	DATE

AMENDMENTS

**Ponder End Gas Holders
Removal of steel frame**

**Gasholder No.6
Lifting Plan**

CLIENT
National Grid

COLEMAN & COMPANY
DEMOLITION | LAND RECLAMATION | BULK EXCAVATION

Shady Lane, Great Barr, Birmingham, B44 9ER.
Tel: +44 (0)121 325 2424, Fax: +44 (0) 121 325 2425
www.coleman-co.com contracts@coleman-co.com

REGISTERED

DRAWING No
C010.002 - Rev D

SCALE	DATE	CHECKED BY
1:500 @ A1	22nd Jan 2010	E. Aslin